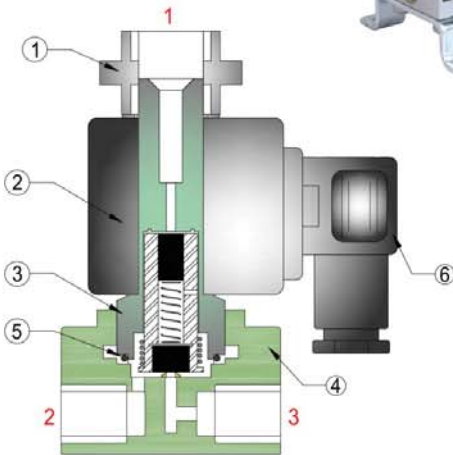
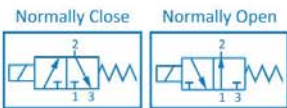
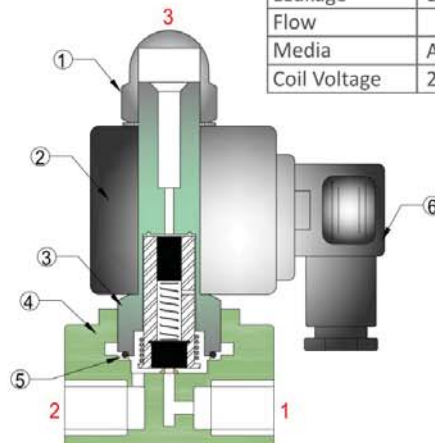


## 3/2 Way Direct Acting Solenoid Valve (Normally Open & Closed)



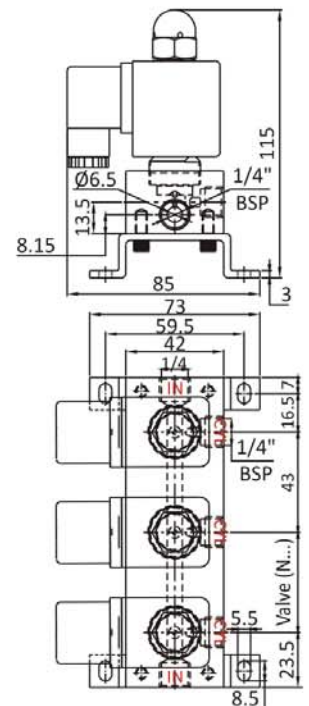
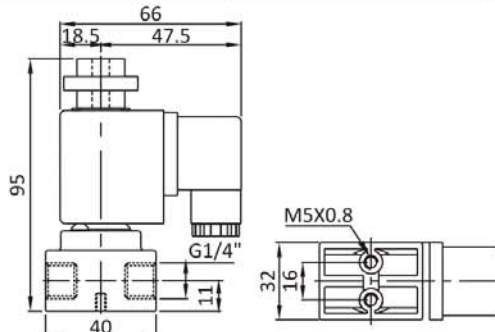
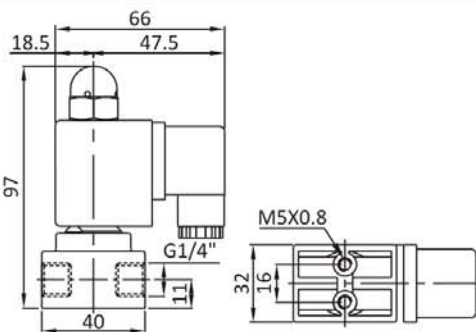
1 - Inlet, 2 - Outlet, 3 - Exhaust  
**Normally Open**



1 - Inlet, 2 - Outlet, 3 - Exhaust  
**Normally Close**

No.	Part Name	Material
1	Connector	Aluminum
2	Coil	'F' Class
3	Armature Assembly	Standard Steel
4	Body	Aluminum Pressure Die Cast
5	'O' Ring	NBR
6	Din Connector	DIN 43650A

No.	Part Name	Material
1	Cap	M. S.
2	Coil	'F' Class
3	Armature Assembly	Standard Steel
4	Body	Aluminum Pressure Die Cast
5	'O' Ring	NBR
6	DIN Connector	DIN 43650 A



### Features

- ▶ Aluminum Graded Pressure Die Cast
- ▶ Compact & Light Weight
- ▶ Universal Mounting Type
- ▶ Metal Dom Cap Nut for Dust Protection
- ▶ Coil Available in Both Wire type & DIN Connector
- ▶ Flameproof Coil Available

### Technical Specification

Model	AJDS-05-202	AJDS-06-202	AJDS-07-202
Size	1/4" BSP		
Orifice	2.5 mm	2 mm	1.2 mm
Pressure	7 Kg/cm <sup>2</sup>	10 Kg/cm <sup>2</sup>	20 Kg/cm <sup>2</sup>
Temperature	Upto 55 °C		
Leakage	Bubble Tight		
Flow	180	140	60
Media	Air ( Filtered & Lubricated )		
Coil Voltage	24V, 48V, 110V, 230V AC		

### Technical Specification

Model	AJDS-08-202	AJDS-09-202	AJDS-10-202
Size	1/4" BSP		
Orifice	2.5 mm	2 mm	1.2 mm
Pressure	7 Kg/cm <sup>2</sup>	10 Kg/cm <sup>2</sup>	20 Kg/cm <sup>2</sup>
Temperature	Upto 55 °C		
Leakage	Bubble Tight		
Flow	180	140	60
Media	Air ( Filtered & Lubricated )		
Coil Voltage	24V, 48V, 110V, 230V DC		