

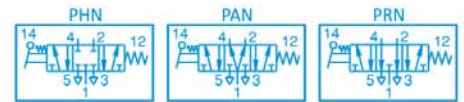
5/3 Way Hand Lever Valve (Center Spring)

Features

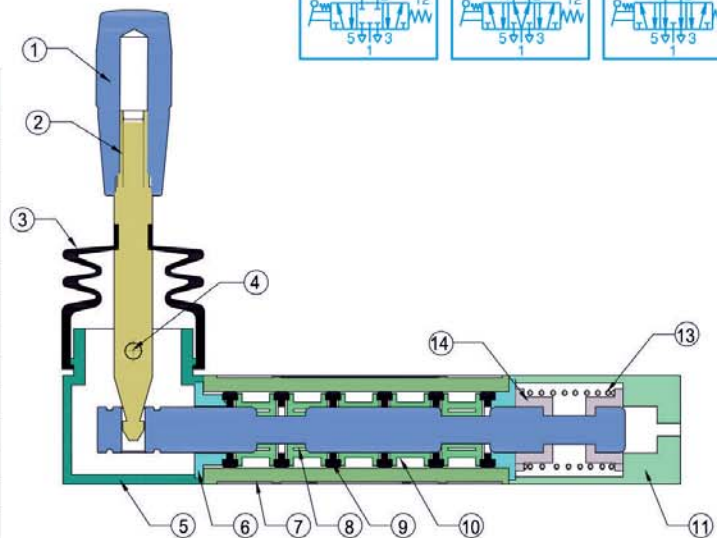
- ▶▶ Heavy & Durable design.
- ▶▶ Aluminum Die Cast Standard Grade with Powder Coating.
- ▶▶ Hard Chrome Plated spool for rust free smooth and long life cycle.
- ▶▶ Superior High Grade Seals
- ▶▶ Simple design easy to maintenance

Technical Specification

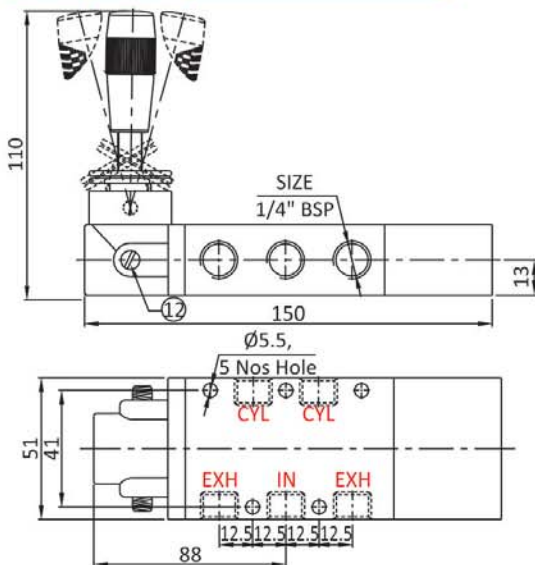
Model	3ARMHLV-502-SC	3ARMHLV-504-SC
Size	1/4"	1/2"
Orifice	6.5	12.5
Design	Spool type,	
Pressure	10 Kg/cm ²	
Temperature	80 °C	
Leakage	Bubble Tight	
Media	Compressed Air (Filtered & Lubricated)	
Flow (NLPM) at 5 BAR	1000	2500
Weight (Kg)	0.550	1.190



No.	Part Name	Material
1	Knob	Nylon
2	Handle	Hardchrome Plated
3	Bellow	NBR
4	Dowel Pin	Spring Steel
5	Top Cover	Aluminum Pressure Die Cast
6	Collar Washer	Polyacetal
7	Body	Aluminum Pressure Die Cast
8	Spool	EN8 Hardchrome Plated
9	'T' Ring	Hi - Nitrile
10	Cage	Polyacetal
11	End Cover	Aluminum / Nylon
12	Cushioning Set	Brass / S. Steel
13	Spring	S. Steel
14	Spacer	Polyacetal



Size : 1/4" BSP (Dimensions are in mm)



Size : 1/2" BSP (Dimensions are in mm)

